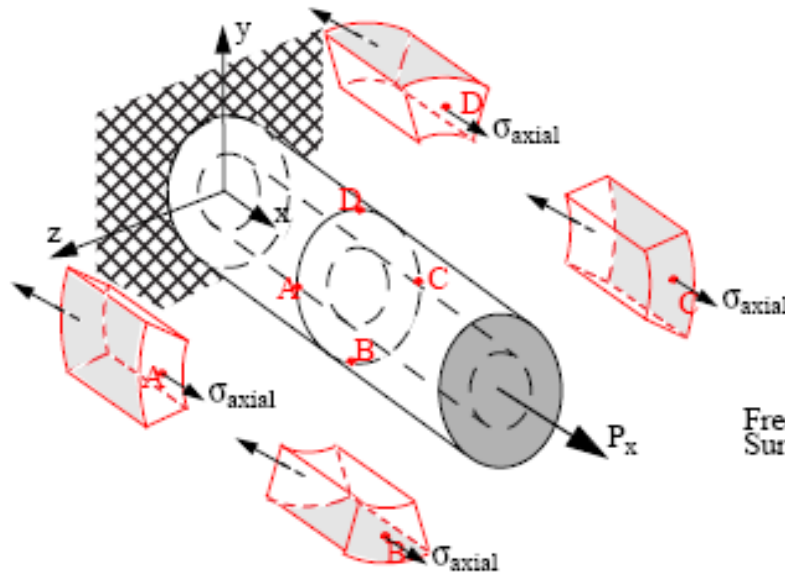
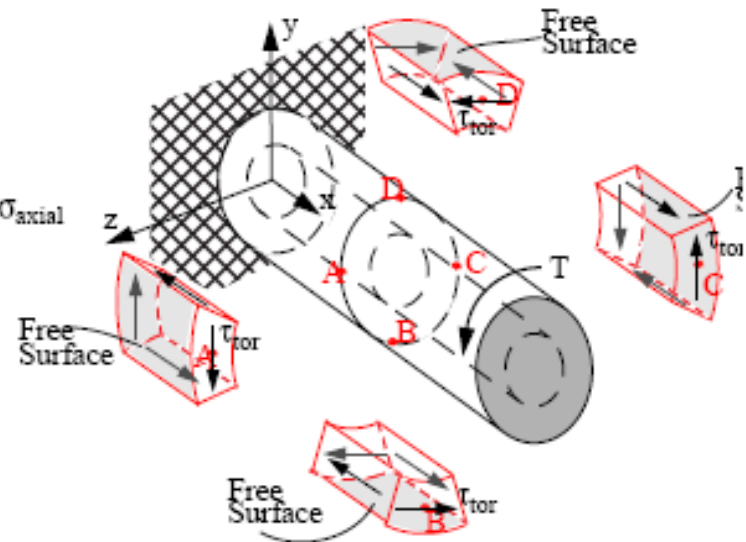


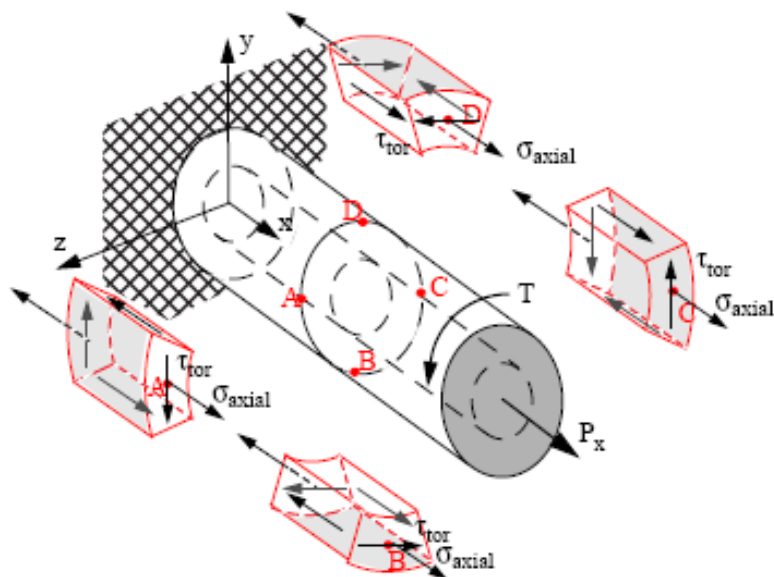
Axial Loading



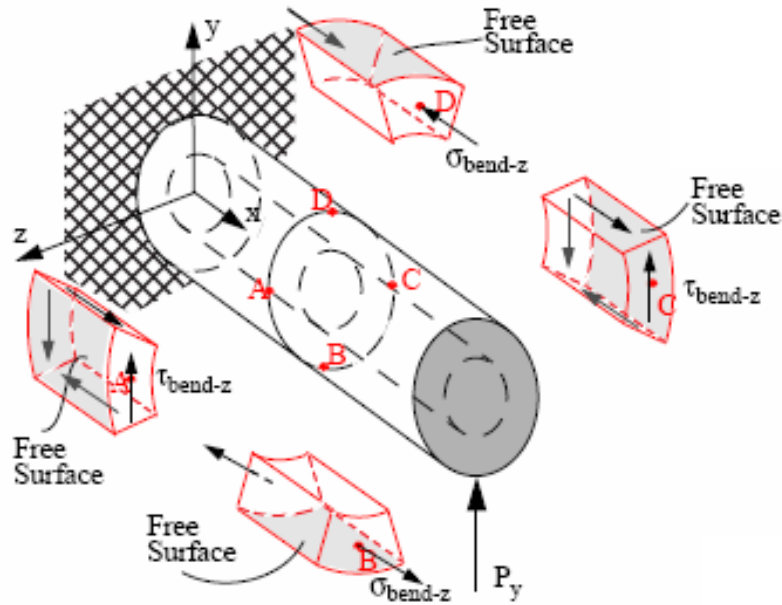
Torsional Loading



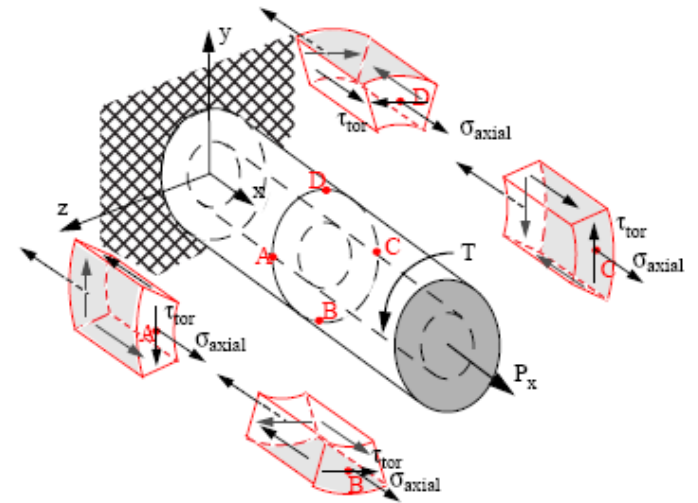
Combined Axial and Torsional Loading



Bending about z-axis



Combined Axial and Torsional Loading



Combined Axial, Torsional and Bending about z-axis

